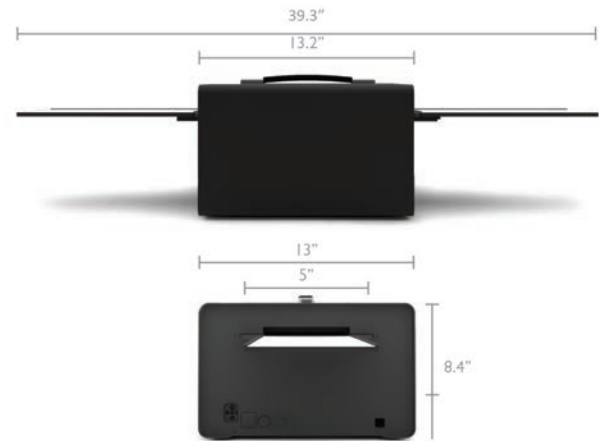


COMPUTED RADIOGRAPHY SwitchBlade



Introducing the first Computed Radiography system designed specifically for weld-quality radiography, the CR SwitchBlade. This new system packs VMI's industry leading image resolution into an ultra-lightweight, compact, durable solution. The CR SwitchBlade scanning process has been designed to have Imaging Phosphor (IP) Plates fed face down, allowing for the solution to be deployed in a direct light environment. Utilizing an innovative magnetic track process, the SwitchBlade scans IP Plates without bending or manipulating the plates. Finally making true portable Computed Radiography imaging a reality.

We create solutions.



INNOVATING SOLUTIONS,
TOGETHER.

850.432.0355 www.vmindt.com

- 5001 Commerce Park Circle
Pensacola, FL 32505
- 13805 West Road, Ste 400
Houston, TX 77041



SPECIFICATIONS

. Pixel/Bit Depth:	65536/16 bit source file
. Pixel Pitch:	50µ - 200µ
. Throughput:	60 plates IP hour (4.5 x 10)
. IP Sizes:	5" x 96" Scanning Area
. Weight:	25 lbs (11.4 kg)
. Dimensions:	W13.2" x D13" x H8.4"
. Power Source:	100-240V AC/2.5A max/47-63Hz
. Light Source/Sensor:	Diode/PMT
. Interface:	USB 2.0
. Scanning Process:	Single Flat Path, Magnetic Track
. Feed Mechanism:	Removable Feeding Tray
. Erase Method:	Automatic, LED
. Network:	DICOM/DICONDE Compliant
. Operating System:	Windows 10, 64-Bit

LOGARITHMIC IMAGE ACQUISITION PROCESS

Customizable Acquisition Settings

COMPACT AND PORTABLE DESIGN

Allows for field transportation

MAGNETIC IP PLATE SCANNING PROCESS

Magnetic Track Design
IP Plate fed face down
Supported feeding and retrieval trays

SUPERIOR IP PLATE PROTECTION FLATBED SCANNING CONFIGURATION

No bending of the IP Plate while being read and erased
Guaranteed to NEVER damage IP Plates

About VMI

With innovation and customer service as our priorities, VMI has leveraged decades of experience and the deep knowledge and expertise of our parent company, Varex Imaging, to become the premier provider of imaging solutions.

We understand that the industries we serve require elite expertise, attention to detail and the highest level of integrity. That is why we care, not just about providing the best solutions but about building relationships and ensuring a superior experience for our clients.

Let's work together **850.432.0355** Clark.Kent@vmindf.com www.vmindf.com